



SMM 1710B SERIES ~

SMT Common Mode Chokes



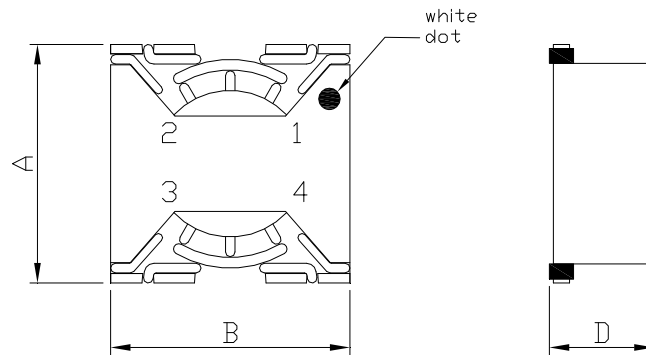
RoHS Compliant

PART NUMBERING SYSTEM

<u>SMM</u>	—	<u>5 9 1</u>	—	<u>LF</u>
TYPE		DIMENSIONS		IMPEDANCE
		LEAD FREE		

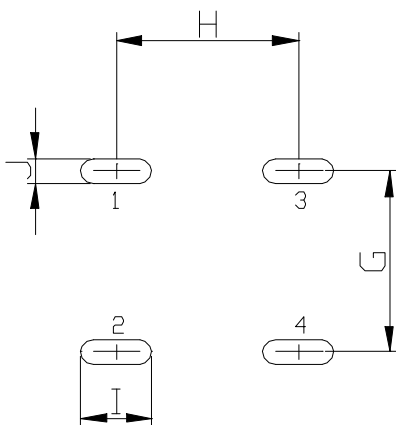
SHAPES AND DIMENSIONS

UNIT : mm

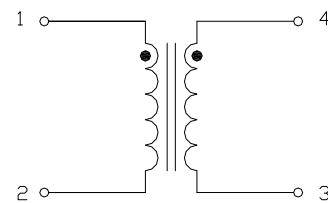


A= 19.5 Max. B= 17.0 Max. D= 10.0 Max.

PCB LAYOUT



SCHEMATIC DRAWING



G= 16.76 H= 11.3 I= 4.45 J= 1.52 Ref.



SMM 1710B SERIES ~

SMT Common Mode Chokes



RoHS Compliant

FEATURES

- **Exceptionally low DC resistance** thanks to the use of heavier gauge wire
- Solutions based on impedance , size and current
- Designed for DC-DC Converters
- Wide Variety of inductor sizes and current ratings available
- Dielectric strength : **1000Vrms** .
- **RoHS-compliant**. 260°C compatible. Tin-silver over copper terminations

SPECIFICATION TABLE

PART NUMBER	INDUCTANCE (mH)	I _{rated} (A)	DCR (mΩ) (Max.)	Test Freq.
SMM1710B-133-LF	13.2 Min.	0.5	850	10KHz / 1V
SMM1710B-602-LF	6.0 Min.	1.0	450	10KHz / 1V
SMM1710B-182-LF	1.8 Min.	2.5	80	10KHz / 1V
SMM1710B-901-LF	0.9 Min.	1.5	60	10KHz / 1V
SMM1710B-601-LF	0.6 Min.	3.6	50	10KHz / 1V

- Inductance is measured with a LCR meter 4284A or equivalent.
- Operating temperature range -40°C to +85°C.
- Electrical specifications at 25°C .
- Packing : 13" reel, machine-ready ,embossed plastic tape (200 parts per full reel).
- Operating Temperature Range : -40°C ~ +130°C.
- Storage Temperature Range : -55°C ~ +130°C.